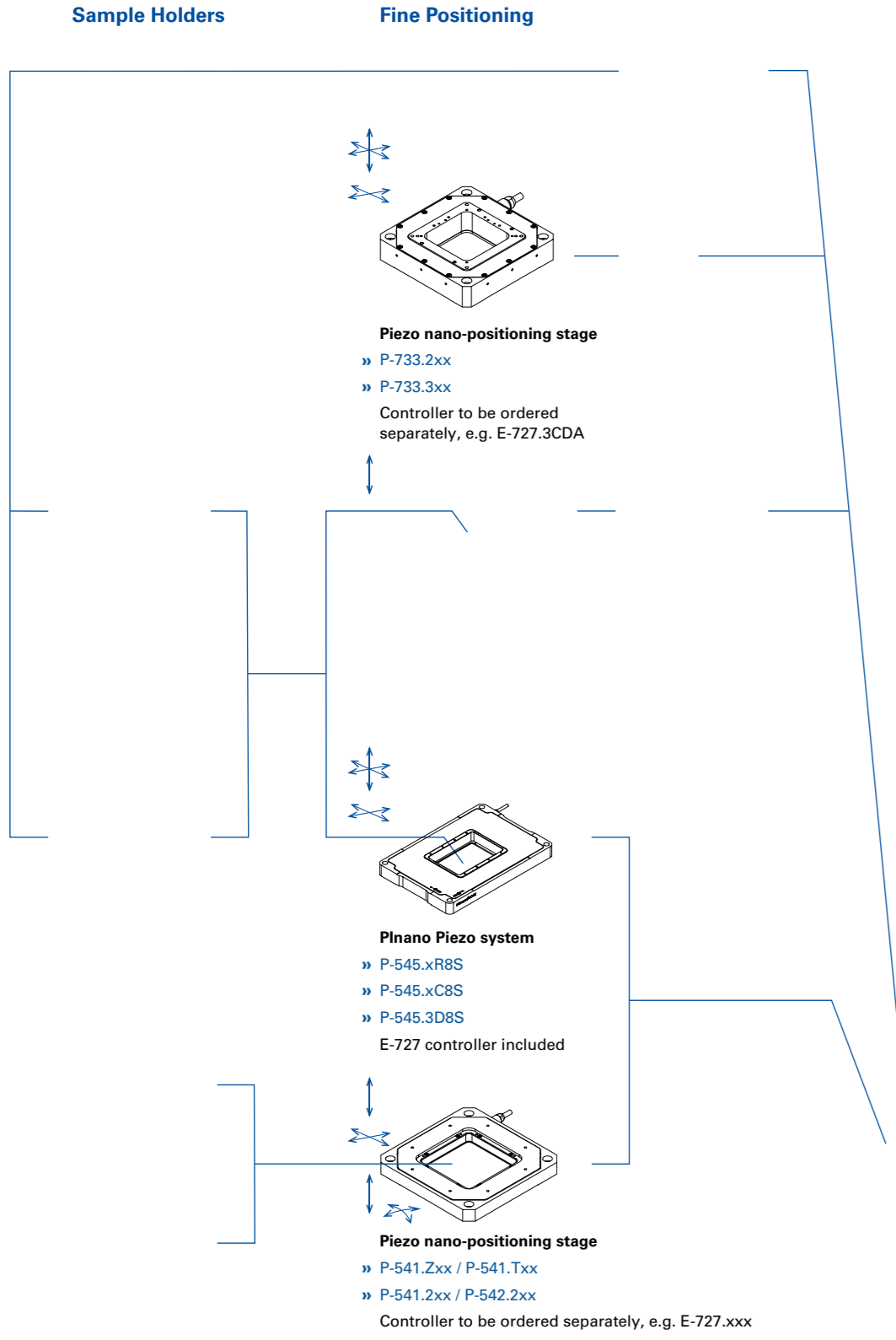


M-545 Microscope XY Stage for Manual Operation



Example image – geometry differs slightly depending on the version.

* Optionally available: P-545.Cxx Coverslip holder for 18x18 / 22x22 / 25x25 mm coverslips



MOTION | POSITIONING



Headquarters

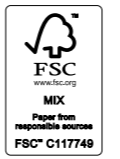
GERMANY
Physik Instrumente (PI) GmbH & Co. KG
 Auf der Roemerstrasse 1
 76228 Karlsruhe
 Phone +49 721 4846-0
 Fax +49 721 4846-1019
 info@pi.ws
 www.pi.ws

PI miCos GmbH
 Freiburger Strasse 30
 79427 Eschbach
 Phone +49 7634 5057-0
 Fax +49 7634 5057-99
 info@pimicos.com
 www.pi.ws

PI Ceramic GmbH
 Lindenstrasse
 07589 Lederhose
 Phone +49 36604 882-0
 Fax +49 36604 882-4109
 info@piceramic.com
 www.piceramic.com

ACS Motion Control

ISRAEL
ACS Motion Control Ltd.
 Ramat Gabriel Industrial Park
 1 Hataasia St.
 Migdal HaEmek, 2307037
 POB 984
 Phone +972-4-6546440
 Fax +972-4-6546443
 info@acsmotioncontrol.com
 www.acsmotioncontrol.com



© Physik Instrumente (PI) GmbH & Co. KG
 All contents, including texts, graphics, data etc., as well as their layout, are subject to copyright and other protective laws. Any copying, modification or redistribution in whole or in parts is subject to a written permission of PI.

Although the information in this document has been compiled with the greatest care, errors cannot be ruled out completely. Therefore, we cannot guarantee for the information being complete, correct and up to date. Illustrations may differ from the original and are not binding. PI reserves the right to supplement or change the information provided without prior notice.

Follow us on:

PI Subsidiaries

USA (East) & CANADA
PI (Physik Instrumente) L.P.
 Auburn, MA 01501
 www.pi-usa.us

USA (San Francisco Bay Area)
PI (Physik Instrumente) L.P.
 Sausalito, CA 94965
 www.pi-usa.us

ITALY
Physik Instrumente (PI) S. r. l.
 Bresso
 www.pionline.it

FRANCE
PI France SAS
 Aix-en-Provence
 www.pi.ws

JAPAN
PI Japan Co., Ltd.
 Tokyo
 www.pi-japan.jp

CHINA
Physik Instrumente (PI Shanghai) Co., Ltd.
 Shanghai
 www.pi-china.cn

SOUTHEAST ASIA
PI (Physik Instrumente) Singapore LLP
 Singapore
 www.pi-singapore.sg
 For ID / MY / PH / SG / TH / VNM

KOREA
PI Korea Ltd.
 Seoul
 www.pikorea.co.kr

USA (West) & MEXICO
PI (Physik Instrumente) L.P.
 Irvine, CA 92620
 www.pi-usa.us

UK & IRELAND
PI (Physik Instrumente) Ltd.
 Cranfield, Bedford
 www.physikinstrumente.co.uk

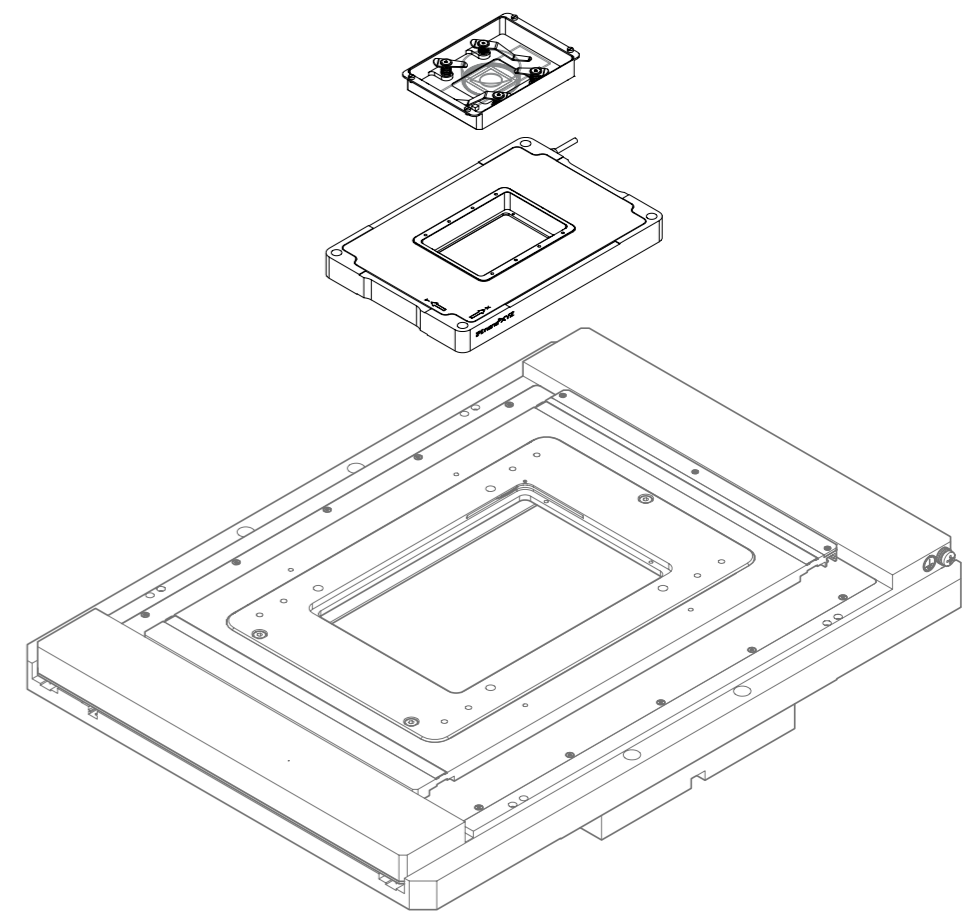
NETHERLANDS
PI Benelux B.V.
 Sint-Oedenrode
 www.pi.ws/benelux

SPAIN
Micos Iberia S.L.
 Vilanova i la Geltrú
 www.pimicos.es

PI Japan Co., Ltd.
 Osaka
 www.pi-japan.jp

Physik Instrumente (PI Shanghai) Co., Ltd.
 Beijing
 www.pi-china.cn

TAIWAN
Physik Instrumente (PI) Taiwan Ltd.
 Taipei
 www.pi-taiwan.com.tw



Microscope Stage Configurator

SAMPLE STAGES AND HOLDERS FOR INVERTED MICROSCOPES

BR070E R0D Microscopy Stage Configurator 10/2019, 1.0. Subject to change without notice. © Physik Instrumente (PI) GmbH & Co. KG 2019

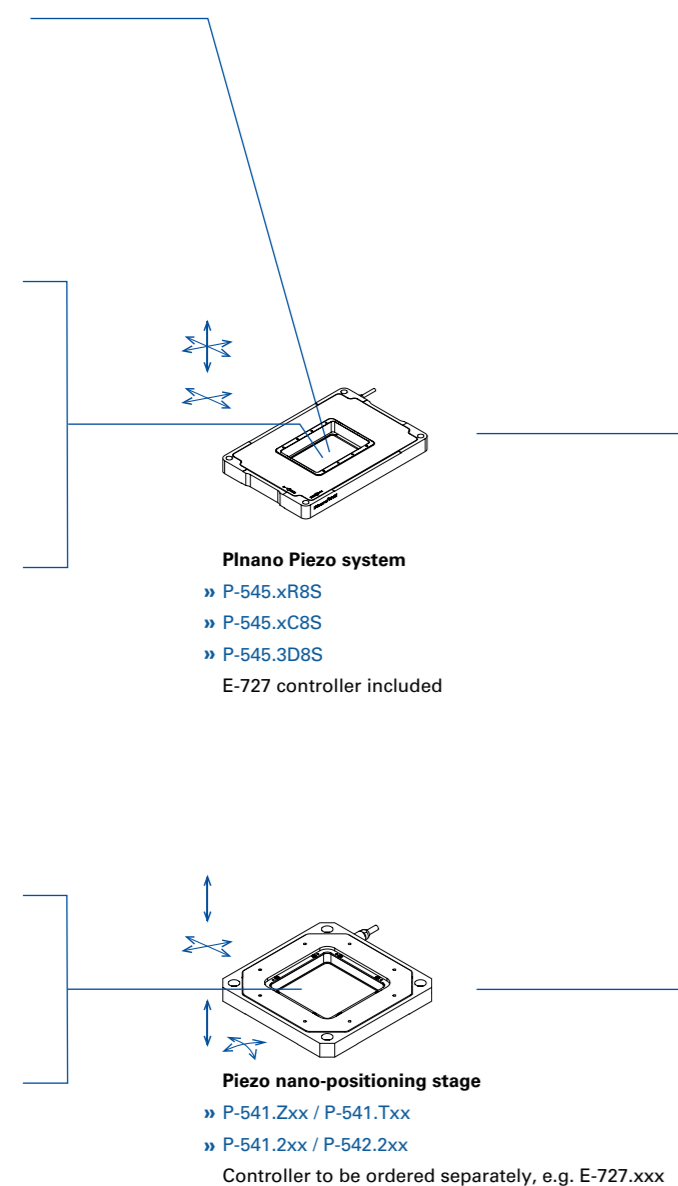
Precision Positioning is the Key Element in Microscopy

For inverted microscopes precise positioning of the sample is a must for accurate results. Sample holders and fine positioning stages have to match perfectly. This is a simple task with our configurator. Start with the coarse positioner and follow the lines to the matching fine positioner and / or sample holder.

Please note: Always use automatic lens lowering when changing lenses.

» For detailed product specifications / technical drawings just click on the relevant link (marked with double arrows) in the brochure.

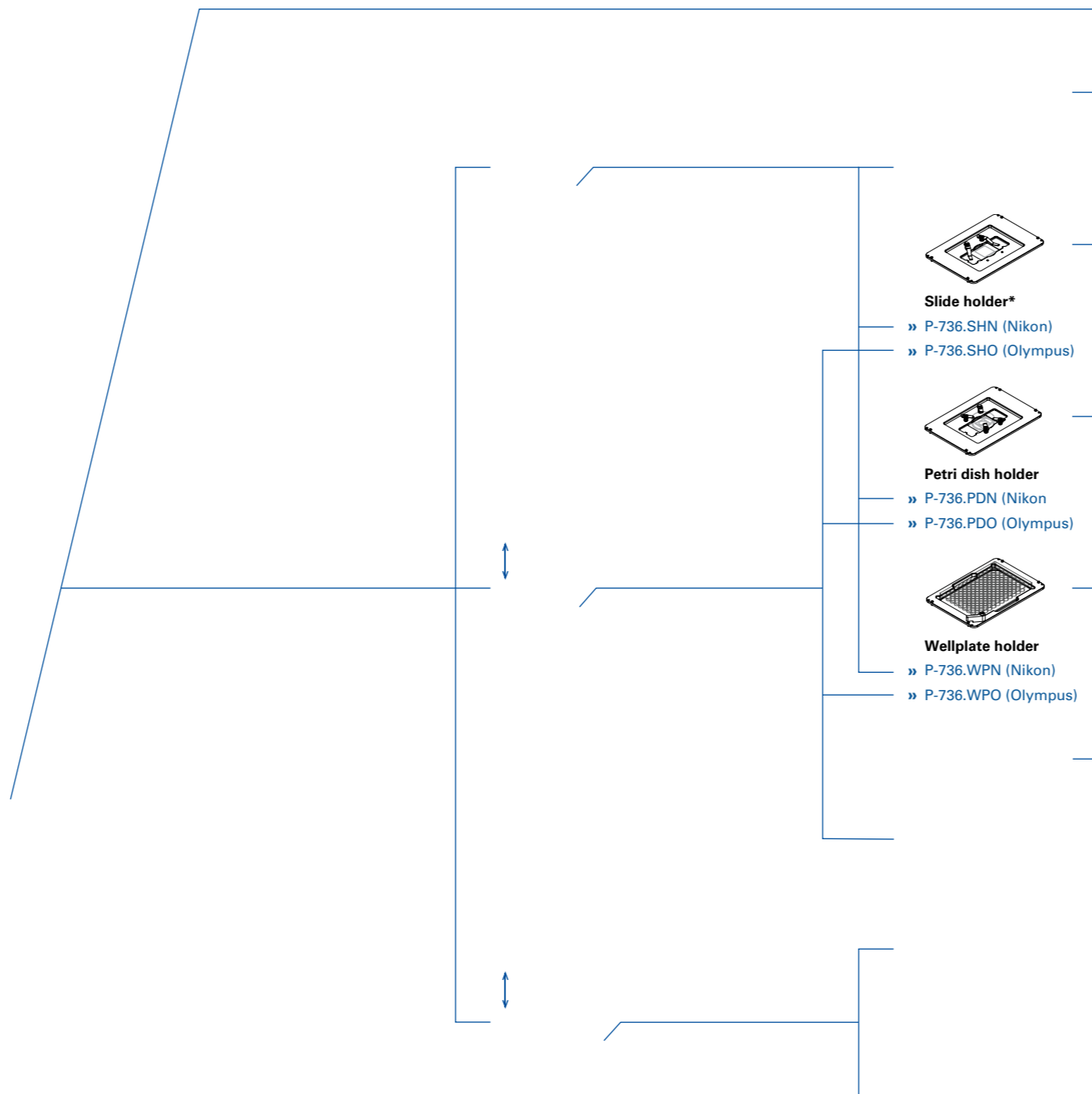
Sample Holders Fine Positioning XY Positioning



Example image – geometry differs slightly depending on the version.

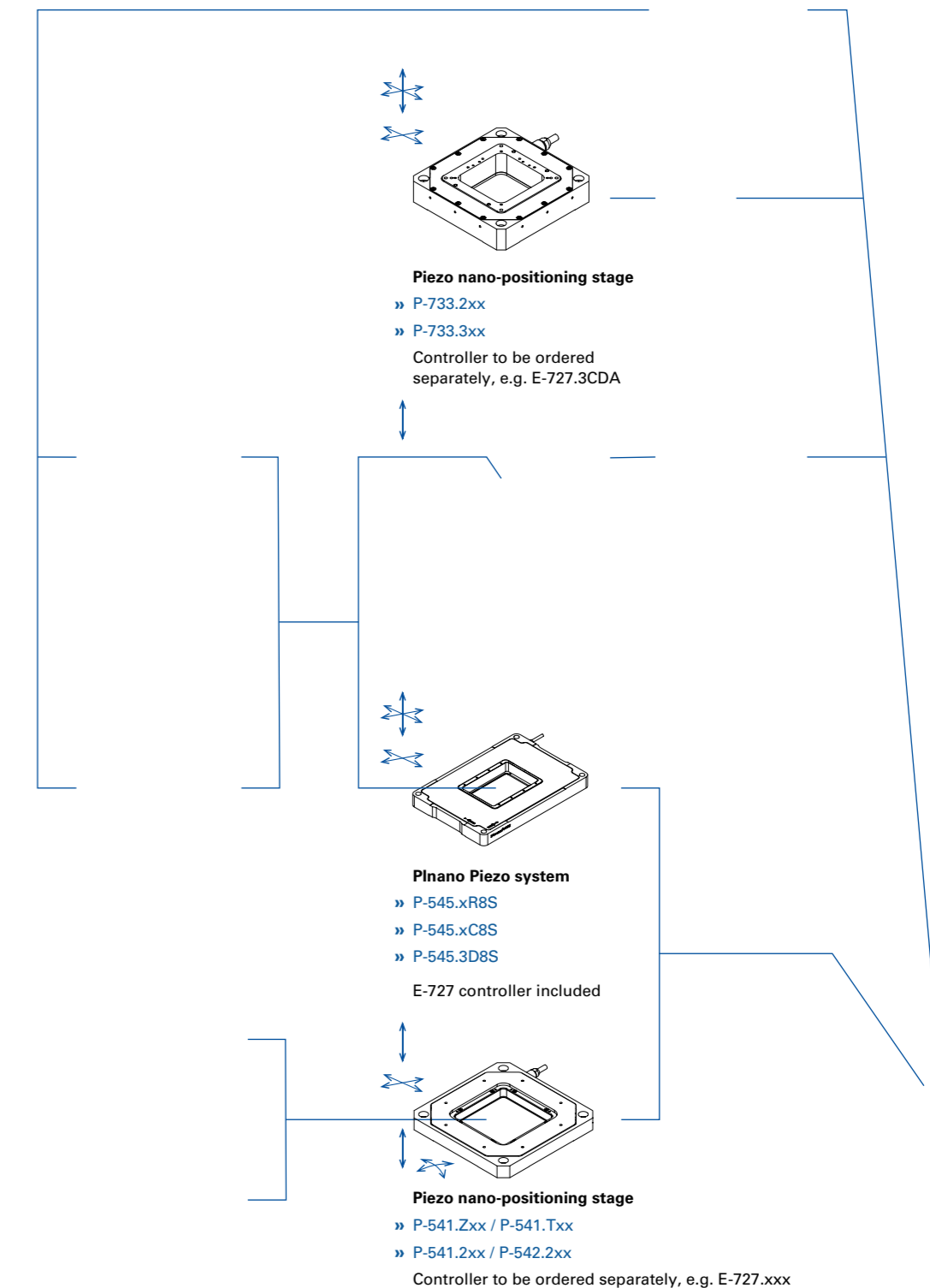
Piezomotor U-780 PLine® XY Stage System with Controller and Joystick

Fine Positioning Sample Holders



Piezomotor U-760 PLine® XY Stage System with Controller and Joystick

Sample Holders Fine Positioning XY Positioning



*Optionally available: P-545.Cxx Coverslip holder for 18x18 / 22x22 / 25x25 mm coverslips